

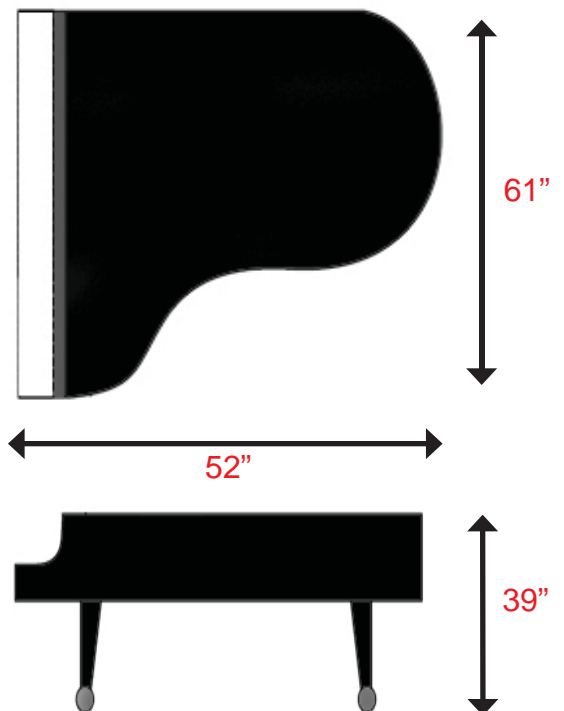
BABY GRAND PIANO SHELL

- Heavy-duty aluminum construction
- Elegance of a piano with the usability of an electronic keyboard
- High gloss black can be refinished to any color
- Can take any electronic keyboard up to 56" wide x 19 3/8" deep
- Keyboard is easily installed and supported on three sides with access to electronic connections
- Tour friendly - no tuning required!
- Transports easily in custom-made crate



Piano Shell Only: 400 lbs

Piano Shell & Crate: 650 lbs



STAGING & PRODUCTIONS
ALL ACCESS[®]

All Access Staging & Productions

LOS ANGELES TEL +1 310 784 2464 FAX +1 310 517 0899

NEW YORK TEL +1 973 579 0067 FAX +1 973 579 0068

LONDON TEL +44 (0) 1483 765 305 FAX +44 (0) 1483 762 594

BRISBANE TEL +61 (0) 411 656 462 FAX +61 (0) 7 557 2320

www.allaccessinc.com