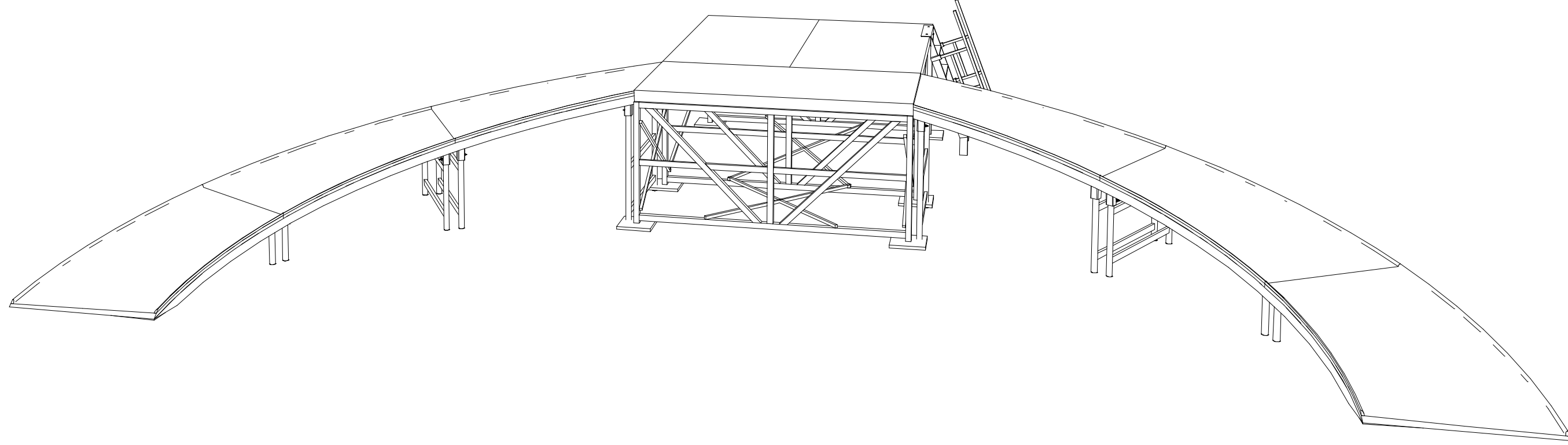


Perspective View  
Scale: 3/8" = 1'-0"



This drawing is the property of **All Access Staging and Productions** and can not be duplicated, modified or used for any other purpose without written permission from **All Access Staging and Productions**. Use of this drawing for bidding is strictly prohibited. Verify all Dimensions, specifications and conditions before using this drawing for construction.



Project Name: Black Veil Brides 2013

Drawing Title: Summer Tour Set

Project Number: 2204406

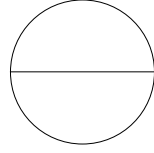
Drawn By: James A. Casalino

Date: 3-14-13

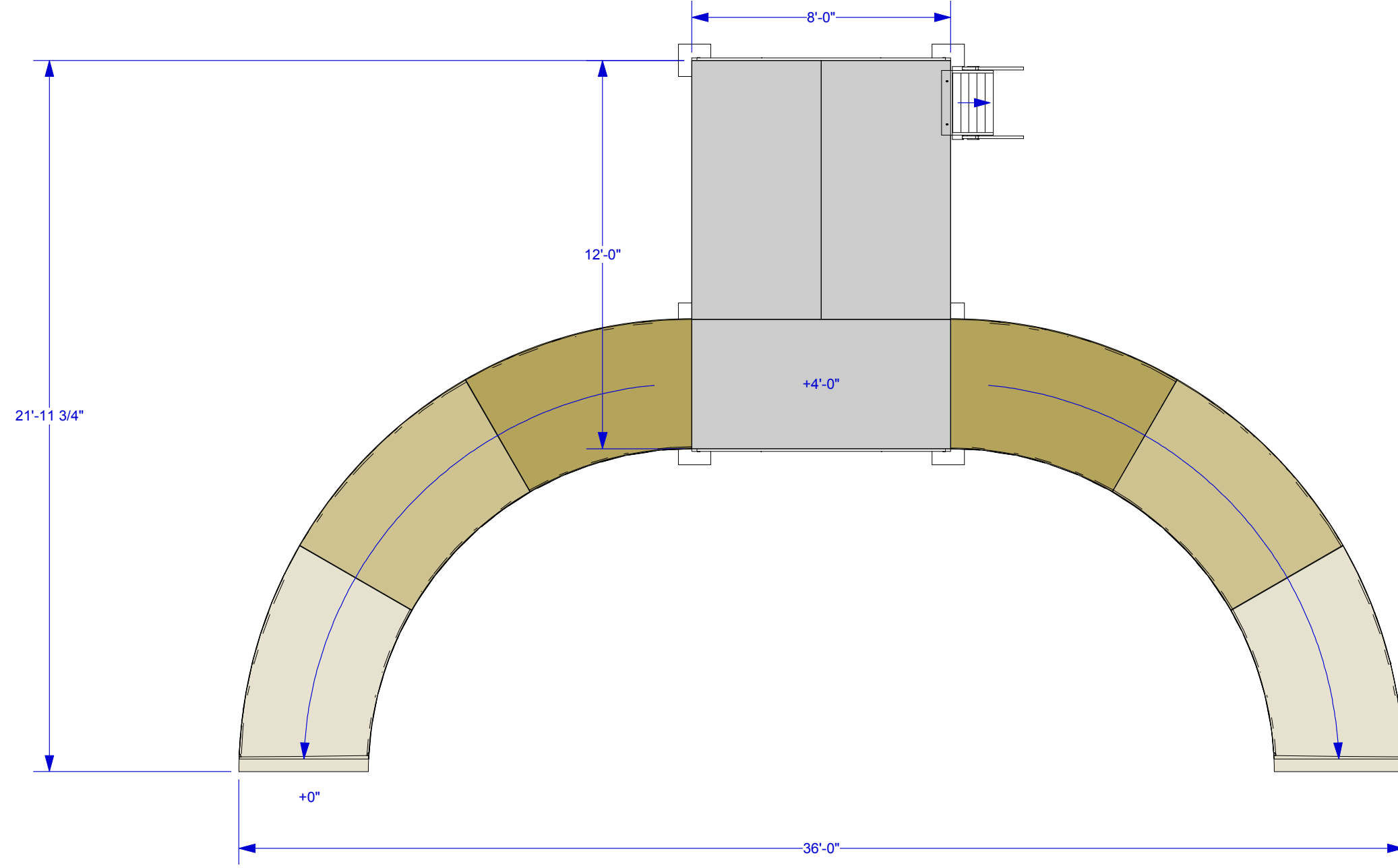
Rev: 1.0

Scale: As Noted  
On 11x17 Page

1320 Storm Parkway • Torrance • CA 90501 • Telephone: 310-784-2464 • Fax: 310-517-0899 • E-mail: JamesC@allaccessinc.com



Overall Ground Plan  
Scale: 1/4" = 1'-0"



This drawing is the property of All Access Staging and Productions and can not be duplicated, modified or used for any other purpose without written permission from All Access Staging and Productions. Use of this drawing for bidding is strictly prohibited. Verify all dimensions, specifications and conditions before using this drawing for construction.



Project Name: Black Veil Brides 2013  
Drawing Title: Summer Tour Set  
Project Number: 2204406  
Drawn By: James A. Casalino

Date: 3-14-13  
Rev: 1.0  
Scale: As Noted  
On 11x17 Page