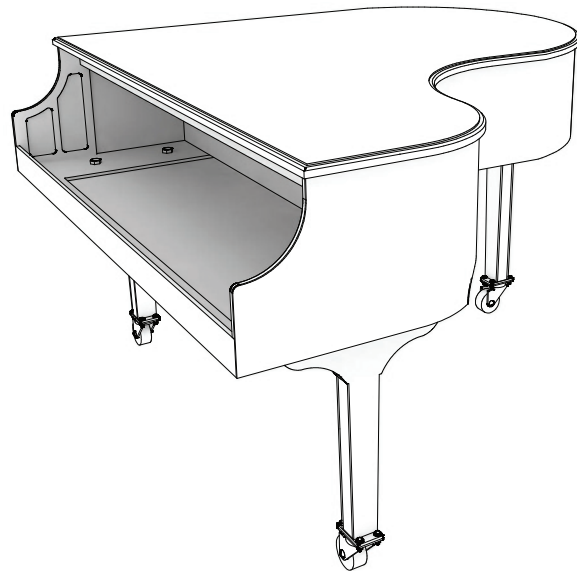
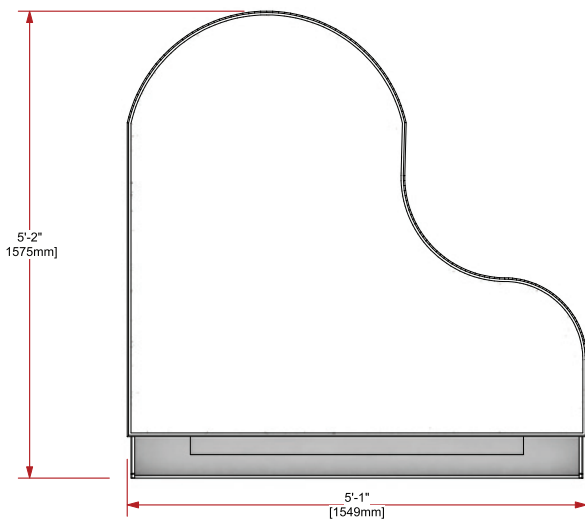


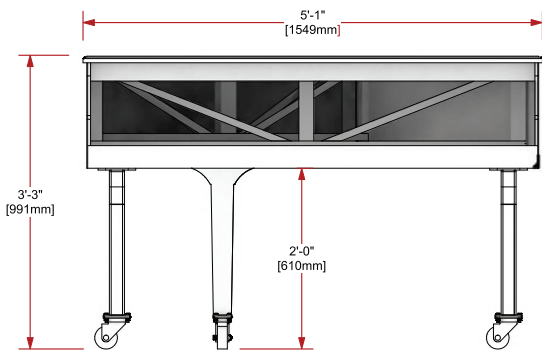
SPECS

- **UNIT WEIGHT:** 400 LBS (181 KG)
- **UNIT WEIGHT W/ CRATE:** 650 LBS (295 KG)
- **USE WITH ANY KEYBOARD UP TO 56" (1422 MM) X 19 3/8" (492 MM)**
- HEAVY-DUTY ALUMINUM CONSTRUCTION
- TRANSPORTS EASILY IN CUSTOM CRATE
- HIGH GLOSS BLACK CAN BE REFINISHED IN ANY COLOR

TOP



FRONT



SIDE

