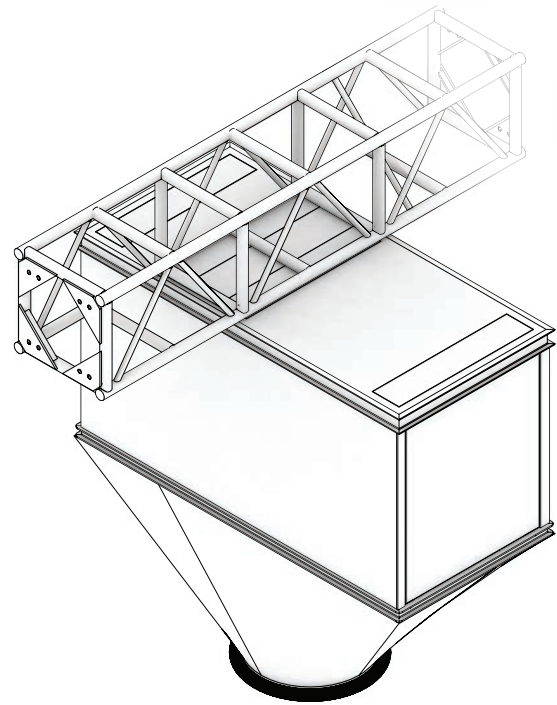


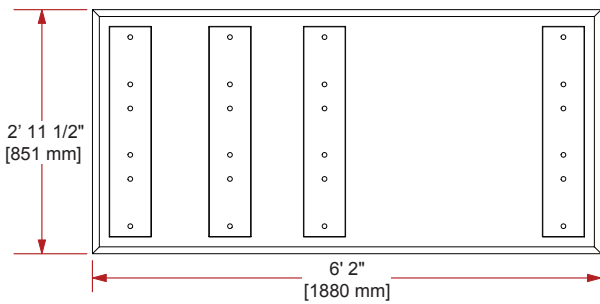
VERSA SNIFFER

SPECS

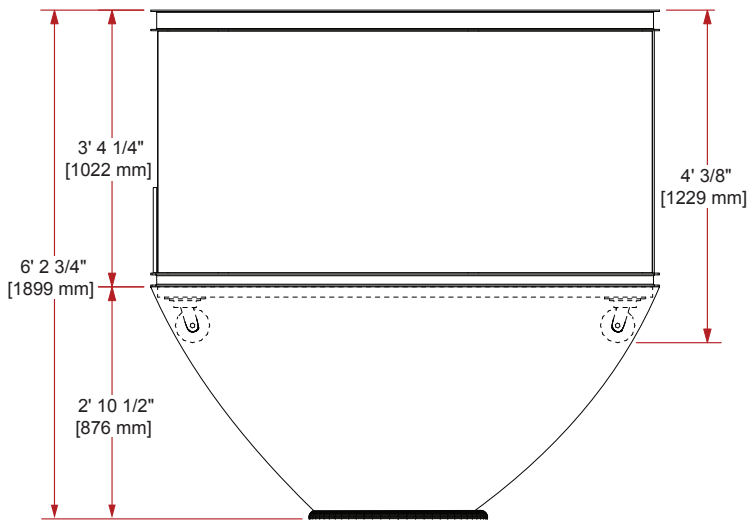
- **WEIGHT:** 875 LBS (397 KG)
- **POWER REQ:** 208V/ 120V, 60HZ, 30A
3 PHASE (5 WIRE)
- **MAX DRAPE SIZE:** 30'x30' (762 CM x 762 CM)
- **MANUAL CONTROL ONLY**



TOP



FRONT



SIDE

