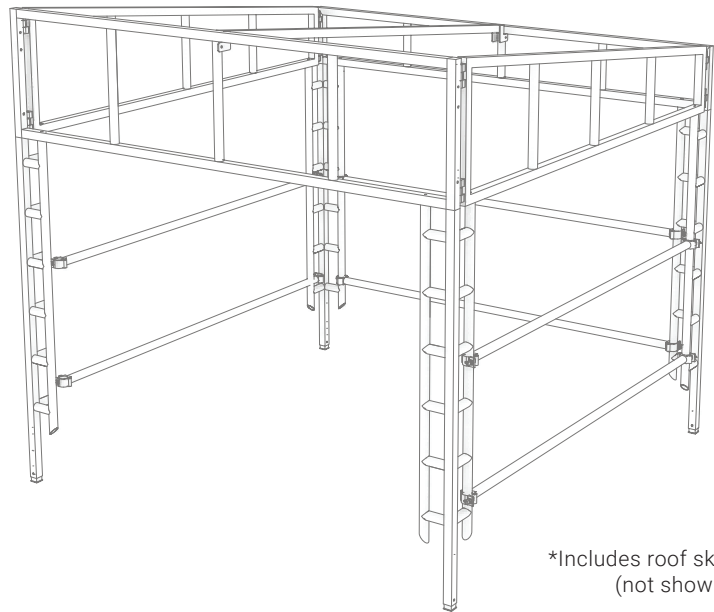
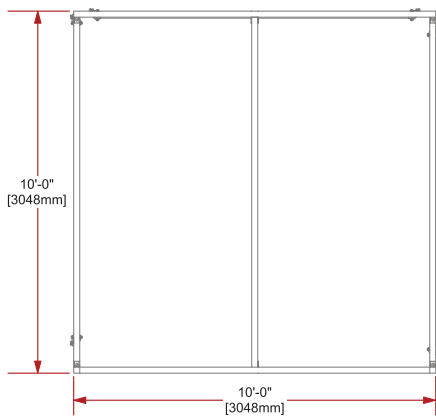


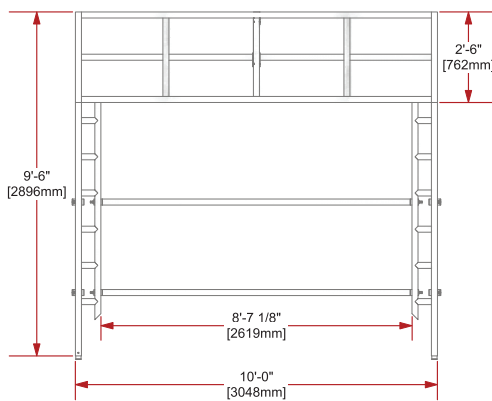
SPECS

- Height adjustment: 12" (305 mm) (shown in down position)
- Tools not required for assembly
- Pitched roof for rain control
- Can be customized to hold up to 300 lbs (136 kg) of displays and accessories
- Shown with optional side panel bars

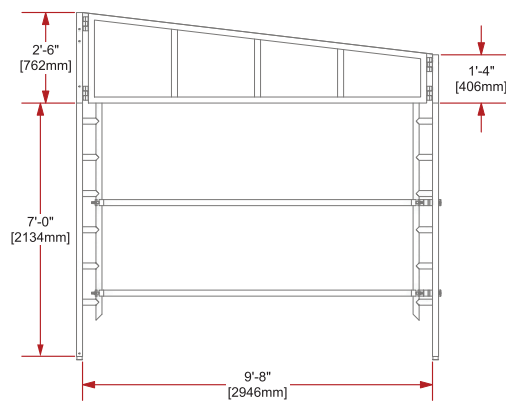
TOP



FRONT



SIDE



Patent: US10267056B1