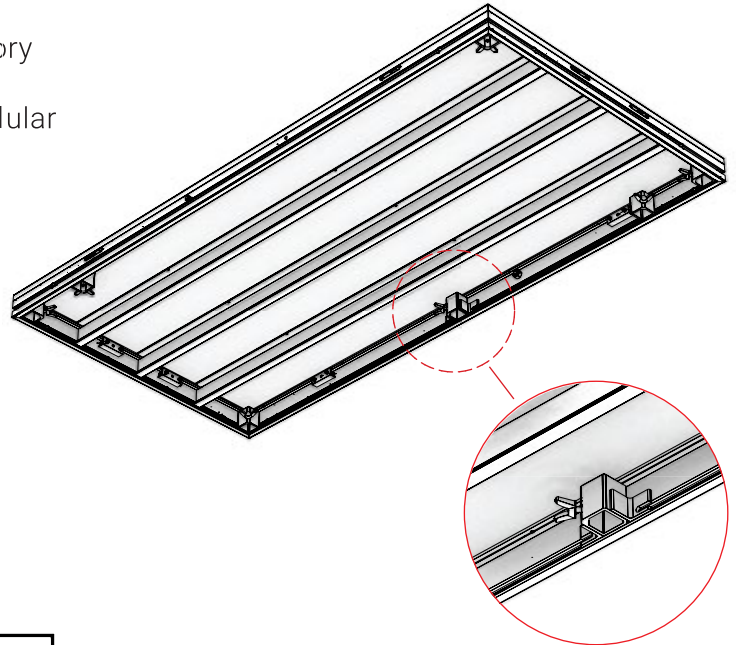
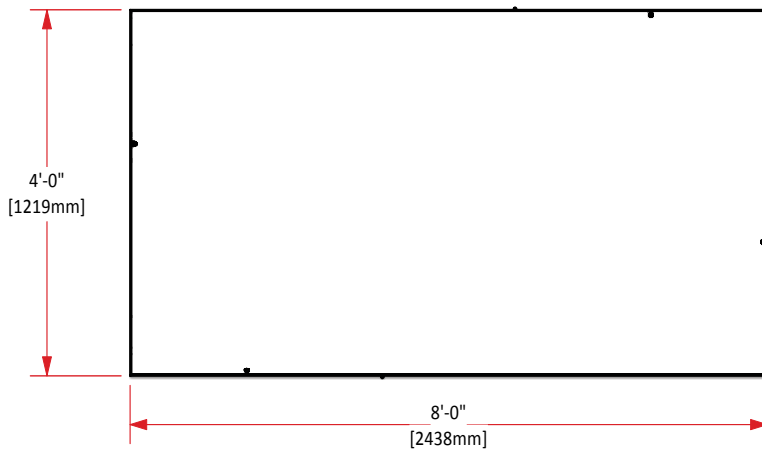


**SPECS**

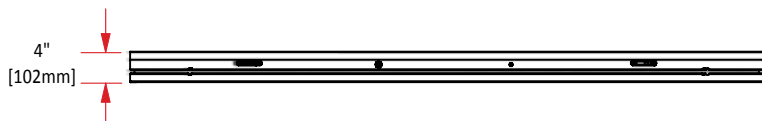
- Interior hardware slot allowing for multiple accessory attachments (see iso detail)
  - Pipe pocket can be bolted to hardware slot for modular leg positioning (see iso detail)
  - Stainless steel spring pin deck locators to maintain alignment
  - Rotary locks using a hex-key for quick latching
  - 1" male Velcro inset into the extrusion
  - Plywood top: 0.75" (19 mm) thick
  - Unit weight: 160 lbs (73 kg)
  - Max load cap: 125 lbs (57 kg) per square foot\*
- \*load capacity varies based on specific situations and deck size*



**TOP**



**FRONT**



**SIDE**

