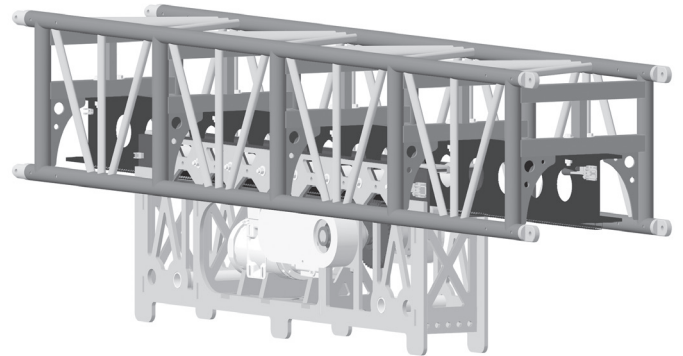
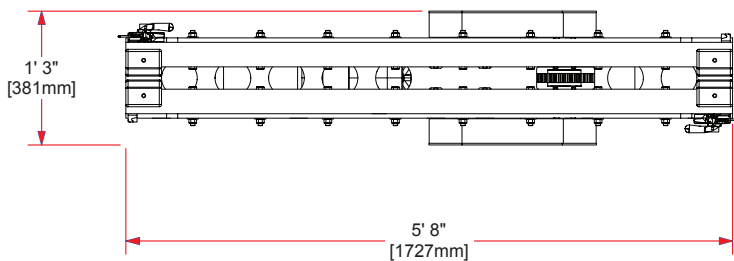


**SPECS**

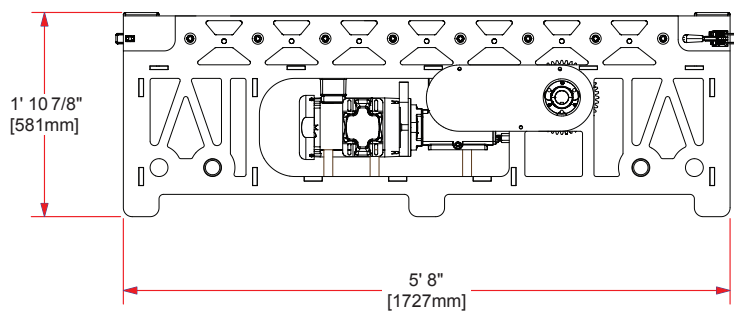
- Weight cap: 5,000 lbs (2268 kg)
- Power req: 208v, 50hz/60hz, 20a, 4 wire (uses one 2-HP motor per trolley)
- Max accel: .25g (0 to 5 mph in 1 sec)
- Width: 5' and 10' sections (20.5" box truss, lugged)
- Control: show control or manual control



**TOP**



**FRONT**



**SIDE**

