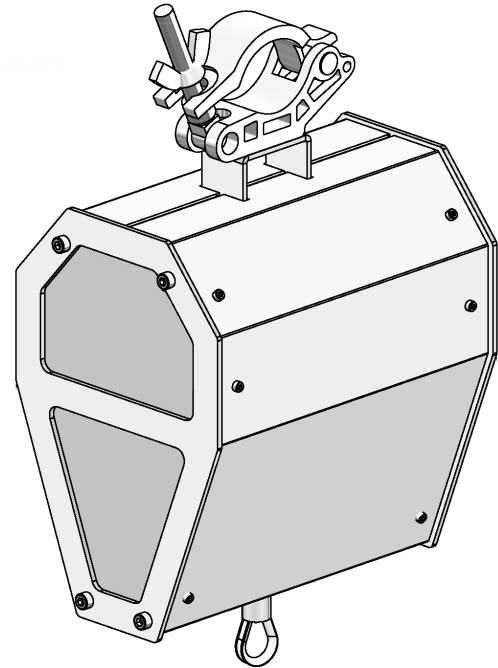
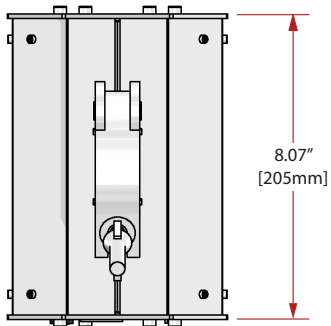


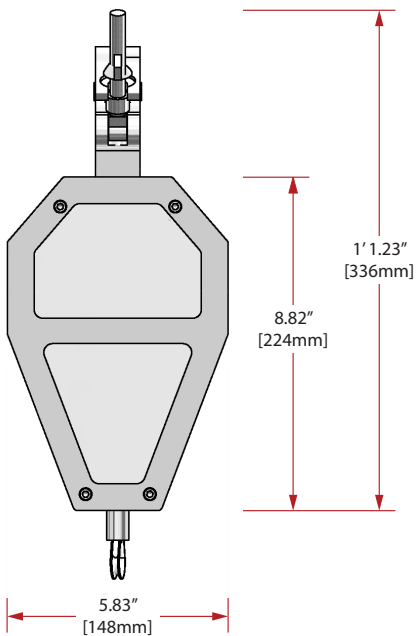
SPECS

- Weight: 11.5 lbs (5.2 kg)
- Power req: 230v 50/60hz
- Power consumption: 0.2a (230v)/unit
- DMX control signal: DMX 512 1990 + DMX512A / 7 channels
- DMX connection: 5 pole XLR, in & link
- Lifting height: 33' (10 m)
- Lifting cap: 22 lbs (10 kg)
- Lifting speed: 2-11.8 in/s (5-30 cm/s) (variable)

TOP



FRONT



SIDE

