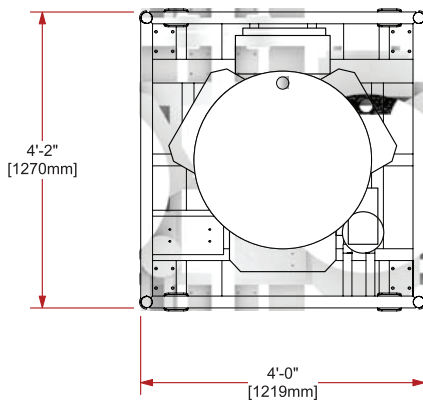


12" RIBBON LIFT

TOP



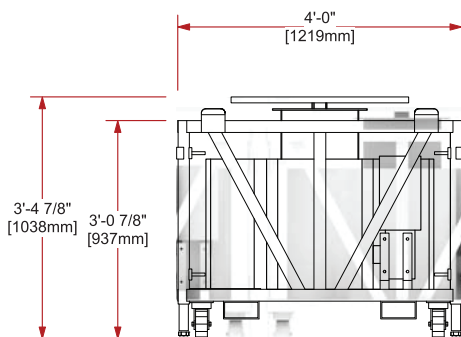
SPECS

THE ONLY RIBBON LIFT IN THE USA CERTIFIED FOR LIVE LOAD USE!

- **LIFT CAPACITY:** 400 LBS (181 KG) CENTERED ON DECK (SINGLE PERSON ONLY FOR LIVE LOADS)
- **POWER REQ:** 208V (30A), 3 PHASE, 5 WIRE
- **LIFT DECK:** 30"-DIA ROUND DISC (32" HOLE)
- **SPEED:** VARIABLE SPEED, APPROX 1' PER SEC
- **MAX HEIGHT:** 16' FOR LIVE LOADS AS STAND ALONE UNIT
 - REQ ADDL BALLAST OVER 16'
 - VARIOUS HEIGHTS AVAIL UP TO 20'
- **UNIT WEIGHT:** 700 LBS (318 KG)

*BACK BRACE WITH SAFETY MUST BE USED FOR LIVE LOADS

FRONT



SIDE

