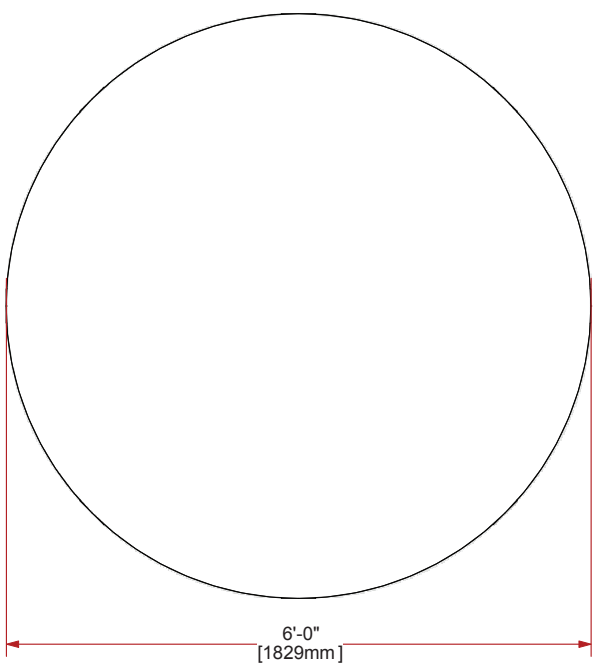


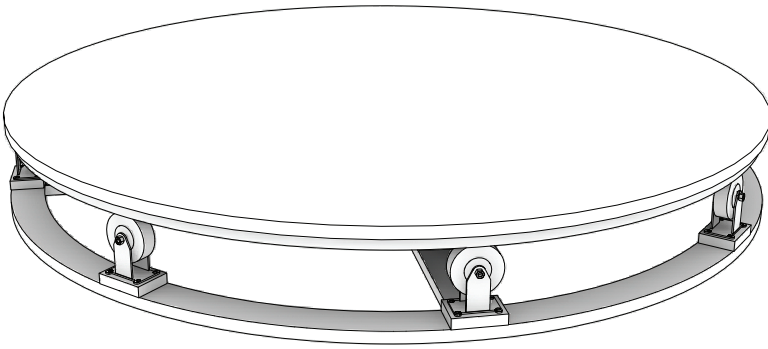
6' TURNTABLE

TOP

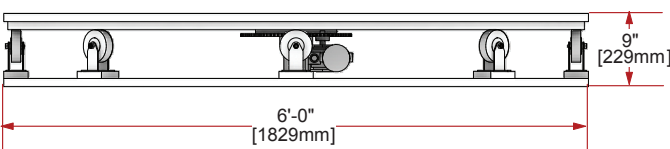


SPECS

- **WEIGHT CAP:** 350 LBS (159 KG)
- **POWER REQ:** 120V (20A) EDISON
- **DIRECTIONAL:** FORWARD AND REVERSE
- **VARIABLE SPEED CONTROL**



FRONT



SIDE

