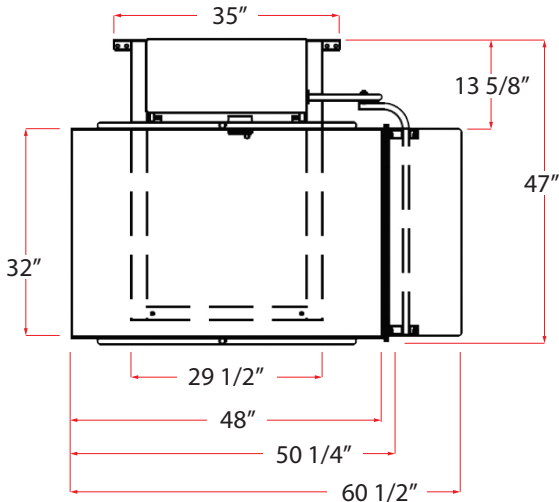
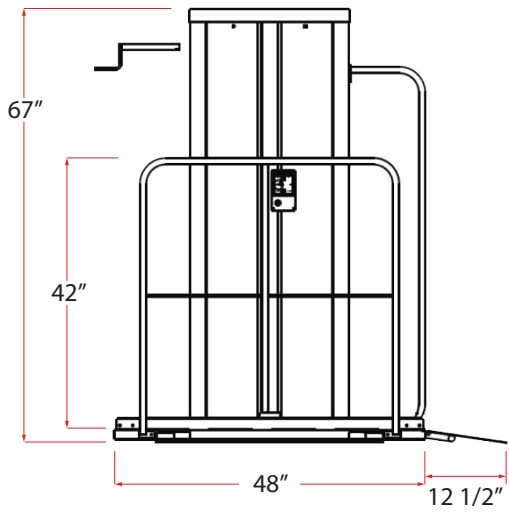


TOP PL-50



FRONT PL-50



SPECS

- **UNIT WEIGHT:**
 - PL-50: 425 LBS (193 KG)
 - PL-72: 475 LBS (215 KG)
- **LIFT CAPACITY:** 600 LBS (272 KG)
(SINGLE PERSON W/ MOBILITY EQUIPMENT)
- **PLATFORM SIZE:** 32"X48" (812 MM X 1219 MM)
- **LIFTING HEIGHT:**
 - PL-50: 51" (1296 MM)
 - PL-72: 72" (1829 MM)
- **POWER REQ:** 115V, 15A, SINGLE PHASE
- **SPEED:** 6 SEC/FOOT

SIDE PL-72

