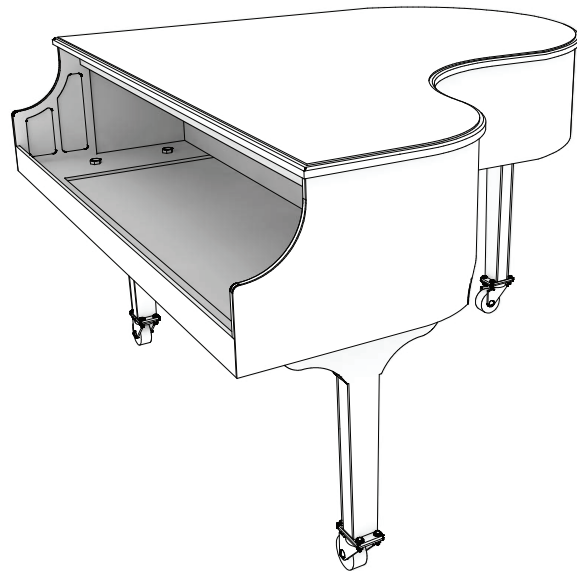
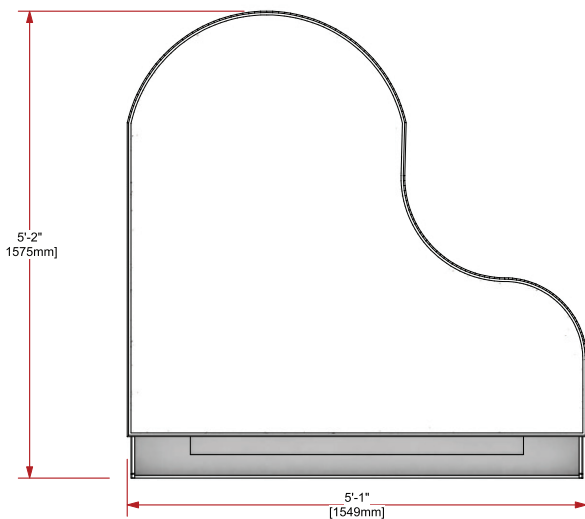


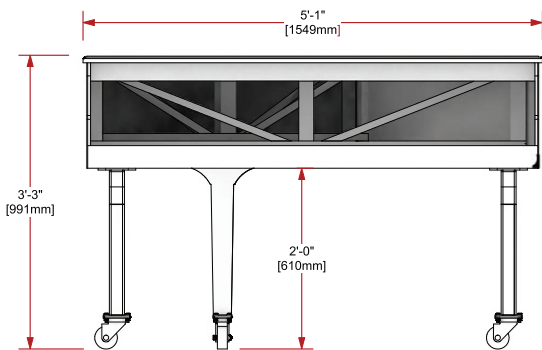
SPECS

- **UNIT WEIGHT:** 400 LBS (181 KG)
- **UNIT WEIGHT W/ CRATE:** 650 LBS (295 KG)
- **USE WITH ANY KEYBOARD UP TO 59.5" (1511 MM) W X 19.25" (489 MM) H X 12" (305 MM) D**
- **HEAVY-DUTY ALUMINUM CONSTRUCTION**
- **TRANSPORTS EASILY IN CUSTOM CRATE**
- **HIGH GLOSS BLACK CAN BE REFINISHED IN ANY COLOR**

TOP



FRONT



SIDE

